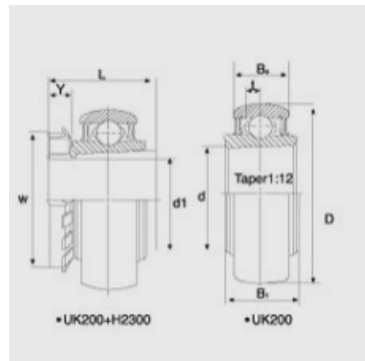


UK200 Series



| auswählen | Anfrage Lagernummer: | d1 | Abmessungen (mm) | | | | | | | | | | Basic Load Rating (kN) | |
|--------------|----------------------|----|------------------|------|----|----|----|------|-----|-----|------|------|------------------------|----------|
| | | | (in.) | (mm) | D | L | D | Bi | Sei | T | Ja | W | Dynamisch | Statisch |
| UK205+H2305 | | 20 | 52 | 35 | 25 | 25 | 17 | 4.2 | 8 | 38 | 1400 | 750 | | |
| UK205+HE2305 | 3/4 | 20 | 52 | 35 | 25 | 25 | 17 | 4.2 | 8 | 38 | 1400 | 750 | | |
| UK206+H2306 | | 25 | 62 | 38 | 30 | 28 | 19 | 5.2 | 8 | 45 | 1900 | 1100 | | |
| UK206+HS2306 | 7/8 | 25 | 62 | 38 | 30 | 28 | 19 | 5.2 | 8 | 45 | 1900 | 1100 | | |
| UK207+H2307 | | 30 | 72 | 43 | 35 | 30 | 20 | 5.6 | 9 | 52 | 2550 | 1500 | | |
| UK207+HS2307 | 1 1/8 | 30 | 72 | 43 | 35 | 30 | 20 | 5.6 | 9 | 52 | 2550 | 1500 | | |
| UK208+H2308 | | 35 | 80 | 46 | 40 | 31 | 21 | 6.2 | 10 | 58 | 2950 | 1800 | | |
| UK208+HE2308 | 1 1/4 | 35 | 80 | 46 | 40 | 31 | 21 | 6.2 | 10 | 58 | 2950 | 1800 | | |
| UK209+H2309 | | 40 | 85 | 50 | 45 | 33 | 22 | 6.3 | 11 | 65 | 3180 | 2050 | | |
| UK209+HA2309 | 1 7/16 | 40 | 85 | 50 | 45 | 33 | 22 | 6.3 | 11 | 65 | 3180 | 2050 | | |
| UK210+H2310 | | 45 | 90 | 55 | 50 | 35 | 24 | 6.5 | 12 | 70 | 3500 | 2300 | | |
| UK210+HA2310 | 1 11/16 | 45 | 90 | 55 | 50 | 35 | 24 | 6.5 | 12 | 70 | 3500 | 2300 | | |
| UK211+H2311 | | 50 | 100 | 59 | 55 | 37 | 25 | 7 | 12 | 75 | 4350 | 2900 | | |
| UK211+HS2311 | 1 7/8 | 50 | 100 | 59 | 55 | 37 | 25 | 7 | 12 | 75 | 4350 | 2900 | | |
| UK212+H2312 | | 55 | 110 | 62 | 60 | 39 | 27 | 7 | 13 | 80 | 4750 | 3250 | | |
| UK212+HA2312 | 2 1/16 | 55 | 110 | 62 | 60 | 39 | 27 | 7 | 13 | 80 | 4750 | 3250 | | |
| UK213+H2313 | | 60 | 120 | 65 | 65 | 40 | 28 | 8.5 | 14 | 85 | 5700 | 4000 | | |
| UK213+HA2313 | 2 3/16 | 60 | 120 | 65 | 65 | 40 | 28 | 8.5 | 14 | 85 | 5700 | 4000 | | |
| UK215+H2315 | | 65 | 130 | 73 | 75 | 45 | 30 | 9.2 | 15 | 98 | 6600 | 4950 | | |
| UK215+HE2315 | 2 1/2 | 65 | 130 | 73 | 75 | 45 | 30 | 9.2 | 15 | 98 | 6600 | 4950 | | |
| UK216+H2316 | | 70 | 140 | 78 | 80 | 48 | 33 | 9.6 | 17 | 105 | 7150 | 5400 | | |
| UK216+HE2316 | 2 3/4 | 70 | 140 | 78 | 80 | 48 | 33 | 9.6 | 17 | 105 | 7150 | 5400 | | |
| UK217+H2317 | | 75 | 150 | 82 | 85 | 50 | 35 | 10.5 | 18 | 110 | 8300 | 6350 | | |
| UK217+HE2317 | 3 | 75 | 150 | 82 | 85 | 50 | 35 | 10.5 | 18 | 110 | 8300 | 6350 | | |
| UK218+H2318 | | 80 | 160 | 66 | 90 | 52 | 37 | 11.1 | 18 | 120 | 9500 | 7100 | | |

UK200 Series

| | | | | | | | | | | | | |
|--------------|-------|----|-----|----|----|----|----|------|----|-----|------|------|
| UK218+HS2318 | 3 1/8 | 80 | 160 | 66 | 90 | 52 | 37 | 11.1 | 18 | 120 | 9500 | 7100 |
|--------------|-------|----|-----|----|----|----|----|------|----|-----|------|------|